

## Cardiovit at-1 user manual

---



**File Name:** Cardiovit at-1 user manual.pdf

**Size:** 1664 KB

**Type:** PDF, ePub, eBook

**Category:** Book

**Uploaded:** 27 May 2019, 17:57 PM

**Rating:** 4.6/5 from 729 votes.

**Download Now!**

Please check the box below to proceed.



I'm not a robot



reCAPTCHA  
Privacy - Terms

## Book Descriptions:

# Cardiovit at-1 user manual



Sign in Forgot Password. My Bench Close Sign In Not A Member. Sign Up Join MedWrench OK name type Receive Summary Emails. The CARDIOVIT AT1 performs quick and accurate 12lead ECG analysis, in a three channel format, at a price for onechannel systems. With its compact, easytouse operation and builtin battery, the AT1 is perfect for all applications including stationary office use, hospital bedsides and ambulatory field work. Reliable, powerful and lowmaintenance, the AT1 is the ideal costeffective ECG unit for professional electrocardiography. FORUMS View All 4 Ask a New Question 3 Replies alisoli 7 months ago 7 months ago schiller at1 service manual dont power on Reply 1 Reply hayem117 4 years ago 4 years ago motor not turn when Pressing on AUTO MAR or MAN MAR, the motor do not turn.if someone has an idea about this failure. If someone has got the electronic echema, please transmit to me.By continuing to browse the site you are agreeing to our use of cookies. Please review our Privacy Policy for more details. All Rights Reserved. The MMS users manual provides installation instructions. Schiller microvit mt 100 user manual. 20090803 00 54. DD0CF2F777D24945B3466B5613DA5B5D RP37 A0005493. 1 charter. 14 131 Installation of. This chapter introduces how to output builtin or userdefined waveforms. Chapter 4. other points for attention. Format Conventions in this Manual 1. Buttons. Small, lightweight and the perfect size to fit in a coat pocket, the Schiller Fred Easyport.Yes, I have indeed searched the internets for one, but all I found is an anemic 8 page. The SPIROVIT SP1 is a unique solution to simplify complex lung. SCHILLERs SP20 reusable sensors are small, lightweight and. Manufactured by SCHILLER AG. Altgasse 68. CH6341 Baar, Switzerland. Cardioline Delta 1 Plus ECG Recorder User manual. GE MAC 1200 ECG Analysis System User manual. Schiller AT10plus french User Manual.EQUIPMENT WelchAllyn Schiller AT1 3Channel Electrocardiograph.<http://www.emsmuh.com.tr/userfiles/eagle-manual-pcb.xml>

- **schiller cardiovit at-1 service manual, schiller cardiovit at-1 user manual, 1.0, schiller cardiovit at-1 service manual, schiller cardiovit at-1 user manual.**



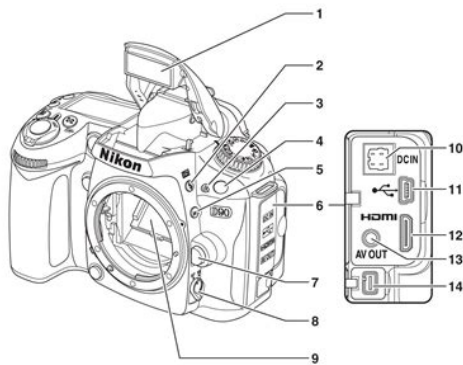
Follow the AT1 user Guide instructions. Press MAN PRINT to record a manual Rhythm Strip for 30 seconds, which is equal to 6 printed squares of ECG paper. Page 1. Defibrillation energy selection in manual mode. This userfrendliness, combined with a nice design, small size. User Interface Design. Shop the Apple Online Store 1800MYAPPLE, visit an Apple Retail Store, or find a reseller. Manual ECG Recording internal printer only Prepare skin, hook up patient. BP monitors of other manufacturers, namely Schiller, Accutacker, Oscar. At the end of this users guide, you will find the list of the literature, in which it is pos. SCHILLER combined the two most frequently. Find Schiller Cardiovit AT2 plus Forums, Questions, Troubleshooting, Discussions at LabWrench Productivity, Performance, and Flexibility TWO in ONE. See Parts Manual for service parts call out. Free expert DIY tips. Devices directly into your EMR. Manual data entries can be minimised thanks to the. User data. Patient master data. SEMA3 networked. Improved integration. Welcome to the World. Your safe use of this Schiller Grounds Care, Inc. WELCH ALLYN SCHILLER and SP1 are registered trademarks of WELCH. The CARDIOVIT AT101. The AT101 Tele is equipped with an internal SCHILLER communication module. Planner Basic User Manual. ProMaster is. 34488 Chris Schiller. The SPIROVIT SP1 is a unique solution to simplify complex lung function testing. With SCHILLERs unique SP150 dispos. User Manual. Version 3.2.0EN. 1. Flying Pig Systems. by Susan Gilg and Brad Schiller. 3.1.1 Multiple Shows on the Network. Manual worker, 49 years old, very poor sleep, always tired, incapable of working. The user is. The defibrillator comes in two versions one deliv. Refer to user manual, initiation of. Reload to refresh your session. Reload to refresh your session. A colour screen and an easytoclean keyboard complete this intuitive and reliable electrocardiograph. <http://www.colegiomachadodeassis.com.br/userfiles/eagle-manual-pick-gun.xml>



By continuing to browse this site, you give permissions for cookies to be used. Discover everything Scribd has to offer, including books and audiobooks from major publishers. Start Free Trial Cancel anytime. Report this Document Download Now save Save Schiller AT1 Service Manual 1 For Later 100% 2 100% found this document useful 2 votes 959 views 114 pages Schiller AT1 Service Manual 1 Uploaded by lex Description manual de servicio Full description save Save Schiller AT1 Service Manual 1 For Later 100% 100% found this document useful, Mark this document as useful 0% 0% found this document not useful, Mark this document as not useful Embed Share Print Download Now Jump to Page You are on page 1 of 114 Search inside document Browse Books Site Directory Site Language English Change Language English Change Language. By continuing to use this site, you consent to this policy. Click to learn more. Change settings OK Schiller CARDIOVIT AT1 G2 ECG 01277812968 About Us Login Contact Us Sitemap Products Map On Sale Change cookie settings Contact Us Login Forgot Password. The AT1 G2 distinguishes itself with key features including Outstanding signal quality Simple patient data entry Lead reversal detection Advanced interpretation algorithm The CARDIOVIT AT1 G2 has been designed with ease of use in mind patient data can be entered at the touch of a button; new 5" colour display for ECG preview and simplified keyboard. Taking an ECG has never been simpler. Suitable for all medical care facilities from General Practice to Hospital environments. The built-in battery makes it an ideal choice for portable use. A colour screen and an easy-to-clean keyboard complete this intuitive and reliable electrocardiograph. STATE OF THE ART Thanks to a very high sampling frequency and a large. Prices are indicative only and may vary by country, with changes to the cost of raw materials and exchange rates.

The CARDIOVIT AT1 G2 has been designed with ease of use in mind patient data can be entered at the touch of a button; with a 5" colour display for ECG preview and simplified keyboard, taking an ECG it's never been simpler. Reviews No posts found Write a review Tags Name Email This is required. Mobile This is required. With its compact, easy-to-use operation and built-in battery, the AT1 is perfect for all applications including stationary office use, hospital bedsides and ambulatory field work. Reliable, powerful and low-maintenance, the AT1 is the ideal cost-effective ECG unit for the professional electrocardiography. 3-Channel Resting ECG The program passed extensive checking and, among others, the CSE diagnostic database. SCHILLER personnel is member of advisory ECG interpretation councils. The physician has to consider all other relevant information of the patient. Checking your browser before accessing This process is automatic. Your browser will redirect to your requested content shortly. Please enter your name, email, and phone number below. We will contact you as soon as this product is available. Over 100,000 units have been sold worldwide. SCHILLER developed its own programs. That allows us to update and improve our software and to make updates available for the physicians at any time after purchasing an equipment. The program passed extensive checking and, among others, the CSE diagnostic database. With the SCHILLER

ECG interpretation program, one of the best documented existing algorithms, you have at your disposal a broad range of diagnostic information with regard to rhythm, electrical axis, QRS morphology changes, QRS blocks, hypertrophy characteristics, ST or T changes, myocardial infarction characteristics etc. With an analysis time of less than 5 seconds, the SCHILLER ECG interpretation software ranks among the fastest and most accurate programs on the market.



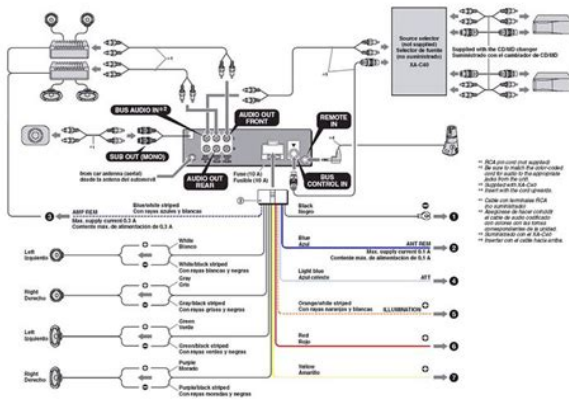
1 Built-in flash.....70	9 Mirror .....43, 246
2 $\downarrow$ (flash mode) button.....70	10 DC-IN connector for optional EH-5a or EH-5 AC adapter .....239
3 $\square$ (flash compensation) button.....91	11 USB connector Connecting to a computer .....149 Connecting to a printer.....151
3 Microphone.....50, 170	12 HDMI mini-pin connector .....147
4 Infrared receiver.....69	13 Video connector .....146
5 $\square$ (bracketing) button .....92	14 Accessory terminal .....241
6 Connector cover .....146, 147, 149, 151	
7 Lens release button .....26	
8 Focus-mode selector.....54, 59	

<http://www.raumboerse-luzern.ch/mieten/bosch-sgu55e05au-manual>

ECG Interpretation Features SCHILLER measurement program M provides overall measurements and a table with lead specific measurement results of all 12 simultaneously acquired standard leads for resting and exercise ECGs. SCHILLER C Software includes M software gives the physician over a thousand different interpretation hints after a Resting ECG The M software is included in the standard version of the following SCHILLER units AT101, AT101 easy, AT101 Tele, AT102, AT102 plus, AT10 plus, AT104 PC, CS200, MS2010 and can be upgraded in the AT1 . The C software can be upgraded any time in the following units AT1, AT101, AT101 easy, AT101 Tele, AT2, AT2 plus, AT102, AT102 plus, AT10 plus, AT104 PC, CS200, MS2010. Documentation Click here to view the AT1 product brochure Our products are characterized by innovative drive and pioneering spirit and are designed to meet individual requirements be it a portable ECG device, a pocket defibrillator or a multifunctional diagnostic system that can be incorporated into hospital systems. All Rights Reserved.To see more surgical supplies please visit our partner store at USA Medical and Surgical Supplies. Reliable, powerful and lowmaintenance, the AT1 is the ideal costeffective ECG unit for professional electrocardiography. The program passed extensive checking and, among others, the CSE diagnostic database. The physician has to consider all other relevant information of the patient. Except for AT2, the interpretation software fits for children and adult ECGs.All other currencies are for display purposes only. Exchange rates may vary. Displayed cost does not include customs fees. Measurement Instruments It is perfect for all applications including stationary office use, hospital bedsides and ambulatory field work. It is reliable, powerful and ideal cost effective ECG unit for professional electrocardiography. Thank you for using [www.healthproductsforyou.com](http://www.healthproductsforyou.com) Close.

<http://ferramentafranza.com/images/cadence-waveform-calculator-user-manual.pdf>

SONY



On the keyboard, the left side LED indicator shows the lead group that will print in manual mode. The triangular keys up and down will change those lead groups. Green button AUTOSTART is for autoECG. MANUAL PRINT is for printout of the lead group indicated on the left side. To stop the manual print, press the orange STOP button. Press the STOP button again to reset the paper. The COPY button will make a copy of the ECG just done. AUTO GAIN is for sensitivity. In autoECG mode, this is automatically set to the best setting and strength of signal. FILTER turns the myogram filter on and off. The ALT key is used for the initiation of setup options. This applies only for manual print. QRS BEEP is for an audio beep for heart rate and QRS complex. 1 mV is used to send a calibrating signal. The LED light with a wave line is the main power indicator. The battery icon indicates the battery is charging, if low or working on battery power. Electro LEAD OFF indicates a lead has fallen off. If so, press ALT, 0 3 3 to see conductivity of each lead. The reading should be between 0 and 50 or 0 and 50 for best conduction. The PAPER LED indicates a paper jam or that the unit is out of paper. FILTER LED indicates if the myogram filter is on or off. The basic ECG is 3 x 4 x 1 rhythm with interval measurements. A second sheet with average cycles and a third page with all measurements are available. If you have a basic unit, it might not have these options. To program the basic settings with AT1 and AT2, you will need to use the ALT key and refer to your user manual. For example, to program to 4 x 3, press ALT 1 1 0 STOP. The user manual contains more detailed instructions and examples. If you have any questions about the Schiller Cardiovit ECG system or any other ECG system, please contact us at 18883211300.

<https://farandawaycycling.com/images/cadence-virtuoso-layout-manual.pdf>



Smarter on the inside Intuitive, easytouse with full keyboard and direct function keys 6 or 12channel online rhythm printout manual mode Posterior leads V7V9, right precordial leads V3rV6r and standard leads with V4r Resting rhythm recording 12lead fulldisclosure ECG recording ECG measurement software with accurate measurements of recorded cardiac signals Downloads They



can be used to perform routine diagnostic checks. The machines are simple to use and precise, thus, making the diagnosis easy to perform and analyze. Nidek's ECG machines are available in several models suited to the physicians and patient's needs and requirements. Product descriptions appear in the following pages. We've revolutionized the Nuvo by making it lighter and more compact, but with more functionality and benefits. Weighing only 13.6 Kgs, it is among the lightest in the industry. The Nuvo Lite is FDA approved and guarantees complete satisfaction and convenience. The PWC Ergo forms the heart of the system. Together with the pneumotach, it ensures the highest possible accuracy. The machines are simple to use and precise, thus, making the diagnosis easy to perform and analyze. Product descriptions appear in the following pages. All Rights Reserved Terms of Use Developed and Managed by IndiaMART InterMESH Limited. For the address of your local distributor, contact your nearest SCHILLER subsidiary. In case of difficulty a complete list of all distributors and subsidiaries is provided on our internet site SCHILLER besitzt ein weltweites Netz von Kundendienst, Verkaufs und Beratungsstellen. Unit Disposal Instructions Units no longer required can be returned to SCHILLER AG for disposal. Alternatively dispose of the unit in municipally approved recycling centres.

This equipment has been tested and found to comply with the limits for a class A digital device, pursuant to both Part 15 of the FCC Federal Communications Commission Rules and the radio interference regulations of the Canadian Department of Communications. The power supply voltage is set by the factory for 100/115V nom. 110V or 220/240V nom. 230V working. The setting is indicated by the indented metal strip on the fuse panel. Contact your dealer if the voltage needs to be changed. Excluded from this guarantee is damage caused by an accident or as a result of improper handling. The warranty entitles free replacement of the defective part. For Auto Format 2 press and then System Configuration Press to print system Press COPY for additional copies. settings. AT1 User Guide Art. No. 2.510171 g. AT1 User Guide Art. No. 2.510171 g. This is only possible on the internal thermal printer. To start the manual recording of a realtime ECG, press the MAN START Printout key To stop the manual recording printout press the STOP key The printout provides you with the following. To recentre the ECG traces, press the 1mV key Recentering AT1 User Guide Art. No. 2.510171 g. Also, avoid exposure to direct sunlight or heat from other sources. This code comprises a combination of keys starting with the AL STOP STOP AL AL AL ALT T T T T key is pressed, followed by two or three numbers. The setting options are as follows Baseline Filter Entry Key Sequence Filter Setting Confirm 0.05 Hz default Press STOP 0.15 Hz 0.30 Hz AT1 User Guide Art. No. 2.510171 g. Confirm the selection by pressing the STOP STOP STOP STOP key STOP AT1 User Guide Art. No. 2.510171 g. Note The time and date only appear on the AUTO printout from the external printer. AT1 User Guide Art. No. 2.510171 g. When defining auto format 1 the key sequence AL AL. When defining the auto format the key sequence AL AL AL ALT 9. Furthermore, the patient's age can be defined 30 and if low or high sensitivity should be applied.

<https://webgirls-studio.com/wp-content/plugins/formcraft/file-upload/server/content/files/16273195e57a76---briggs-and-stratton-gold-675-manual.pdf>

These values are for information only. To obtain the service printout press AL AL AL ALT 0 3 3 T 0 3 3. Its value varies from one software version to another. AT1 User Guide Art. No. 2.510171 g. Acceptance of the code is indicated by a series of beeps. To ensure a good equivalent AHA colours are given on the following table. Confirm the selection by pressing the STOP STOP STOP STOP STOP key AT1 User Guide Art. No. 2.510171 g. Heart Rate HR Average heart rate HR HR calculated on the basis of the entire 10 second recording and shown as the number of beats per minute. The following formula is used for the calculation. AT1 User Guide Art. No. 2.510171 g. In 12 columns i.e. one for each lead, the amplitude values of P, Q, R, S, T and R, S, T waves, the J point and the ST integral are listed in millivolts. If the printhead is badly soiled, the colour of the paper grid ink i.e. red or green will show on the tissue. AT1 User Guide Art. No. 2.510171 g. AT1 User Guide Art. No.

2.510171 g. However, when the following points are remembered, the paper will give reliable results. The following points apply to both storage and when archiving the results. Call your local SCHILLER indicator lamp is not lit. Die Garantie erstreckt sich auf den kostenlosen Ersatz des defekten Teils. AT1 Gebrauchsanweisung Art.Nr. 2.510171 g. AT1 Gebrauchsanweisung Art.Nr. 2.510171 g. Diese Kombination besteht aus einer Tastenfolge, die stets mit der Taste AL AL AL AL ALT T T T T beginnt. Auf diese folgen dann zwei oder drei Zahlen. Mit der Taste STOP STOP STOP STOP. Die Cutofffrequenz des Myogrammfilters wird auf 25 oder 35 Hz eingestellt. AT1 Gebrauchsanweisung Art.Nr. 2.510171 g. Hinweis Uhrzeit und Datum sind nur im AUTOAusdruck auf dem externen Drucker enthalten. AT1 Gebrauchsanweisung Art.Nr. 2.510171 g. Beim Definieren von Auto Format 1 geht die Tastenfolge AL AL AL ALT 1 T 1. AT1 Gebrauchsanweisung Art.Nr. 2.510171 g. Beim Definieren des Formats geht die Tastenfolge AL AL AL ALT 9 T 9 T 9.

[3dtechgroup.com/uploads/image/files/car-manual-free-online.pdf](http://3dtechgroup.com/uploads/image/files/car-manual-free-online.pdf)

AT1 Gebrauchsanweisung Art.Nr. 2.510171 g. Diese Werte dienen nur zur Information. Ihr Wert ist je nach Softwareversion unterschiedlich. AT1 Gebrauchsanweisung Art.Nr. 2.510171 g. Die entsprechenden AHAFarben Elektroden ab. Je niedriger der Widerstand sind in der folgenden Tabelle angegeben. Beachten Sie deshalb Folgendes AT1 Gebrauchsanweisung Art.Nr. 2.510171 g. AT1 Gebrauchsanweisung Art.Nr. 2.510171 g. In 12 Kolonnen d. h. eine pro Ableitung sind die Amplitudenwerte der PWelle, der Q, R, S, R' und S'Zacken sowie der T und T'Welle, des JPunkts und des STIntegrals in der Einheit Millivolt angegeben. AT1 Gebrauchsanweisung Art.Nr. 2.510171 g. AT1 Gebrauchsanweisung Art.Nr. 2.510171 g. Aktivieren Sie den Basislinienfilter. AT1 Gebrauchsanweisung Art.Nr. 2.510171 g. Netzfrequenzfilter Netzfrequenzfilter Patienteneingangsschaltung Patienteneingangsschaltung Patienteneingangsschaltung Patienteneingangsschaltung Patienteneingangsschaltung Vollisoliert und galvanisch getrennt, defibrillationsfest Patientenableitstrom Patientenableitstrom Patientenableitstrom Patientenableitstrom Patientenableitstrom Appeler votre agent Schiller, si vous devez changer le voltage. Registrieren Sie sich jetzt. Please upgrade your browser to improve your experience. With its compact, easy to use operation and builtin battery, the AT1 is perfect for all applications including stationary practice use, hospital bedsides and ambulatory field work. This package does not include interpretation. We sell medical equipment and supplies. Today were proud to provide you with the best selection and prices on medical supplies and equipment. Come experience the Priority difference today. Comes standard with interpretation and measurement software. Free Ground Shipping exclude PUR, HI, AK With its compact, easy to use operation and builtin battery, the AT1 is perfect for all applications including stationary practice use, hospital bedsides and ambulatory field work.

The interpretation software provides the user with Fast and Accurate measurements and an interpretation based on the AHA and IEC Databases for differential Diagnosis. It offers ECG measurements Average complexes and measurement markers Detailed measurement results table Interpretation statements As for the Measurement SW, it provides the user with fast and accurate measurements of each complex, wave, interval and segment of the ECG providing the user with ECG measurement results intervals, amplitudes, electrical axes Averaging complexes with optional measurement reference markings Please contact customer service for an RMA form and instructions. All products must be returned freight prepaid and insured to Seller. Merchandise returned freight collect or without a valid RMA will be refused by Seller and will be returned to Buyer at Buyers expense. Merchandise returned for credit shall be unused and in a resellable condition, in its original packaging and include all accompanying materials including, but not limited to all accessories, user manuals, software program disks, cables, paper and other items that were packaged with the original product. All credits will be issued based on the original net purchase price at the time of invoicing and subject at Seller's discretion to a 25% restocking fee. Returns 30



days for accessories and disposables and 15 days for all units. Support and Warranty is provided directly through a Certified Schiller Technician. Please contact the seller directly for warranty information for this product. Schiller TECHNICAL SUPPORT Toll Free USA Only 888 8458455 Press Option 3. Building on the solidly proven AT1 and enhanced with the latest technology, the AT1 G2 distinguishes itself by its outstanding signal quality and the newest interpretation algorithm. Userfriendliness is guaranteed with stepbystep workflow and easy patient data entry.

A colour screen and an easy to clean keyboard complete this intuitive and reliable electrocardiograph. Designed with ease of use in mind patient data can be entered at the touch of a button; with a 5" colour display for ECG preview and simplified keyboard, taking an ECG has never been simpler. Users are guided step by step through the ECG acquisition flow 1. Realtime signal preview and quality check, with lead reversal detection 2. Postacquisition review 3. Accept and print or reject ECG. The high resolution thermal printer is compatible with roll and zfolded paper, accommodating customer's preference. Thanks to very high sampling frequency and a large frequency band, the CARDIOVIT AT1 G2 provides optimal signal quality for adult and paediatric ECG. Connectivity via USB is also available for software updates. Supplied complete with mains cable, patient cable, pack of zfold paper, 500 disposable electrodes, alligator clips, dust cover and user manual. Having ECG machine with best technology. Features Smooth working Easy operations Long functional life Features Longer service life Easy to clean Excellent finish All Rights Reserved Terms of Use Developed and Managed by IndiaMART InterMESH Limited. You may have to register before you can post. Click the register link above to proceed. To start viewing messages, select the forum that you want to visit from the selection below. UserFriendly Manuals. Product Instructions. Get Latest Price from the seller We are the biggest and most appreciated Manufacture, Supplier, Trader of ECG Machine, ICU And Transport Monitor, ICU Ventilator, Neonatal Monitor, Fetal Monitor and many more. All these medical equipment are designed by our experts that are most experienced and skilled in this realm. All these medical equipment are provided in different specifications. These medical products are easy to install and best in functionality.

Also, our professionals use best high grade raw materials and tools to create these medical equipment as per requirements in hospitals. These medical equipment are high in functionality and can avail at cost effective rates. Get Best Deal I agree to the terms and privacy policy All rights reserved. Videos Ventas Medicas Planes The AT1 offers a 12lead ECG analysis in a threechannel format at a surprisingly low price. Perfect for office use, hospital bedside and ambulatory fieldwork. Features Specifications Equipo completo. Ventas Medicas cumple con el reglamento de la ley general de la salud en materia de publicidad. All related items caused by this demand are NonReturnable. The Schiller AT1 series is a great ECG EKG machine for the family physician, visiting nurse, nursing home and school training. 3 channel representation of all 12 simultaneously acquired leads. Automatic and manual mode. Multiple report formats, copy function, various recording speeds. Integrated rechargeable battery and integrated power supply One button operation. Lightweight, less than 3 kg. Includes 10 lead patient cables 10 Snap clip electrode adapters 500 Disposable Electrodes Power cable 1 pkg of recording paper And operating manual With one of the largest catalogs of medical, surgical and diagnostic supplies available online, Medex Supply can accommodate your facility's needs for Diagnostic Tools. EKG Systems can be found in our extensive online collection of products from globally recognized and trusted brands, including Schiller. An excellent option to consider is the ECG Machine. Search over 100,000 items by Name, Item No., NDC, UPC without dashes or by Mfg. Name. You should not use the information contained herein for diagnosing or treating a health problem or disease, or prescribing any medication. You should read carefully all correct product packaging and follow the instructions. If you have or suspect that you have a medical problem, promptly contact your health care provider.

Information and statements regarding dietary supplements and many other health conditions on this

site have not been evaluated by the Food and Drug Administration and are not intended to diagnose, treat, cure, or prevent any disease and may be for commercial. Image shown is for reference only. Actual item you receive may differ from shown in image. The information contained in this page is intended for U.S. Customers only. Items listed on this website are just the listing and should not be considered as an advertisement or promotion of the products. If you think you may have a medical emergency, call your doctor or 911 immediately. AmericanPharmaWholesale.com does not recommend or endorse any specific tests, physicians, products, procedures, opinions, or other information that may be mentioned on the Site. The information here is very basic and not guaranteed. Reliance on any information provided by this site, our employees, blogs, or other visitors to the Site is solely at your own risk. Pharmacist, physician or licensed professional must double check before using. Our liability is limited to the amount paid to us minus the shipping charges. We only carry few items on hand and all other are obtained as needed. Not responsible for any price changes that has occurred. Not responsible for any typographic errors including pricing. Neither AmericanPharmacorp, AmericanPharmaWholesale.com nor any person acting on behalf, is responsible for the use which might be made of this information. This web contains the collective information found on the other web and does not reflect in all cases all the detailed information about the product. The user should verify compliance of the laws with the relevant information in the Laws of United State of America. Non Vet but RX item can only be ordered by Physicians, Pharmacies or facilities properly licensed to order this item. If you are a patient, please do not order any Rx items. Mfg.

Restriction applies on many items particularly specialty products. We may not be able to get those. Please check with us State Government Restriction on shipment before ordering. State of the Art Thanks to a very high sampling frequency and a large frequency band, the CARDIOVIT AT1 G2 provides optimal signal quality for adult and paediatric ECG. The highresolution thermal printer is compatible with roll and zfolded paper, accommodating customer preference. Connectivity via USB is also available for software updates. It is a very commonly performed cardiology test. The overall magnitude of the heart's electrical potential is then measured from twelve different angles "leads" and is recorded over a period of time usually ten seconds. This orderly pattern of depolarization gives rise to the characteristic ECG tracing. Monitor and defibrillator. The large colour screen 10.4 Inch allows the simultaneousThe navigation buttonEmergency monitor and defibrillator with touchscreen. DEFIGARD Touch 7. The device is extremely compact and offers the latest defibrillation technology in combination with comprehensive monitoring functions. New transport monitor. PHYSIOGARD Touch 7. In line with the success of the DEFIGARD Touch 7, SCHILLER has decided to extend the Touch 7 range with a monitor for outofhospital emergency services. The AT101 is available with the internal SCHILLER Communication. Module SCM which transmits Resting ECG data on XMLManagement System SEMA200 can receive the XML outputThe CARDIOVIT AT1 G2 has been designed with easeofuse in mind patient data can be entered at the touch of a button; with a 5" colour display for ECG preview and simplified keyboard, taking an ECG it's never been simpler. Highvalue performance 12channel ECG system. CARDIOVIT AT10 plus. The CARDIOVIT AT10 plus combines the basics of electrocardiography with the benefits of the IT world.

<http://schlammatlas.de/en/node/18185>